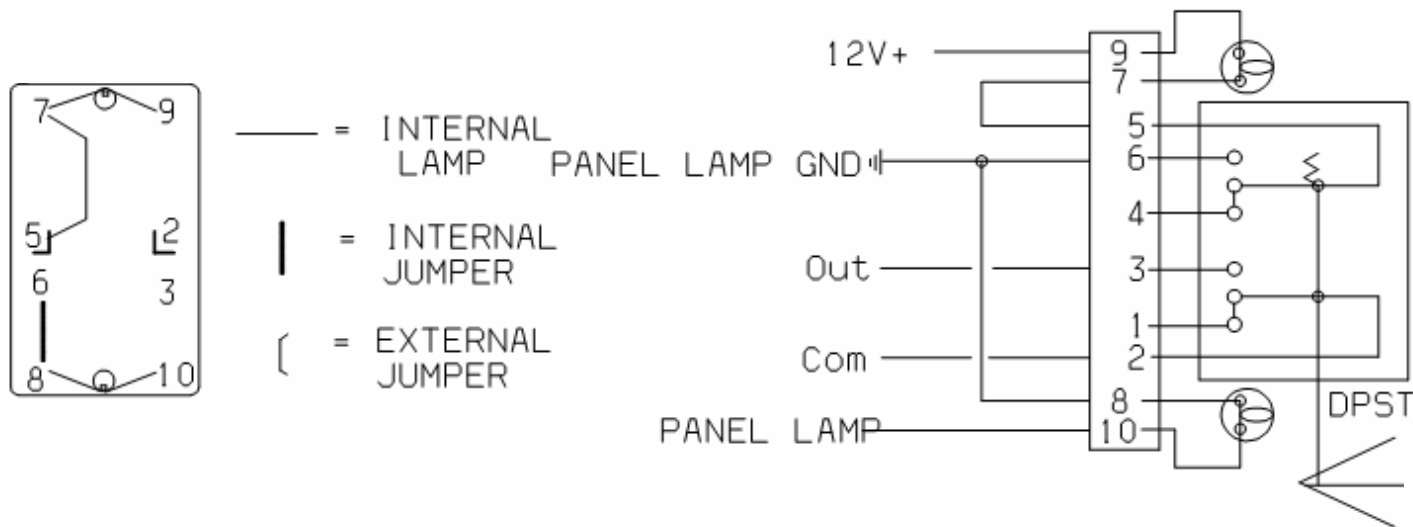


Freightliner Circuit - C3

Engine Braking, paddle switch # A06-30769-072

Exhaust Braking, rocker switch # A06-30769-119



Pin numbers and Connections: **WIRE COLOR**

SWITCH POSITIONS >>

>>> **A Crusingator Document** <<<

ON
OFF
NONE

- | | |
|---|---|
| 1 No Connection | 6 Internal jumper to Pin 8, Ground, Ckt # 1204, Black |
| 2B Ground, Ckt # 1204, Black | 7 External jumper to Pin 5B, Switch Lamp ground |
| 3 440M, Ckt # 1502, Red w/White | 8 Internal jumper to Pin 6, Ground for Dash Panel Lamp |
| 4 No Connection | 9 81C, Ckt # 1102, Pink , 12V+, Switch Lamp Power |
| 5B External jumper to Pin 7 | 10 29A, Ckt # 1304, Brown , 12V+, Dash Panel Lamp Power |